

## Mechanical, electrical and control integration



INNOVATIVE FAST INDUCTIVE CHARGING SOLUTIONS FOR ELECTRIC VEHICLES

tecnalia  Inspiring  
Business

 **BATZ**

Jesús M<sup>a</sup> López, Dionisio del Pozo  
Fundación Tecnalia Research & Innovation  
14/11/2014, Vigo

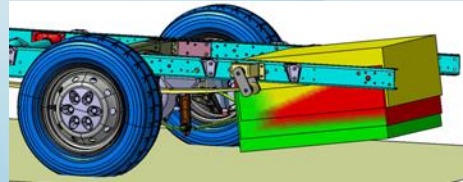
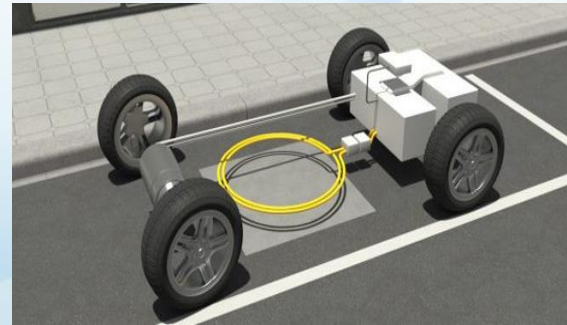
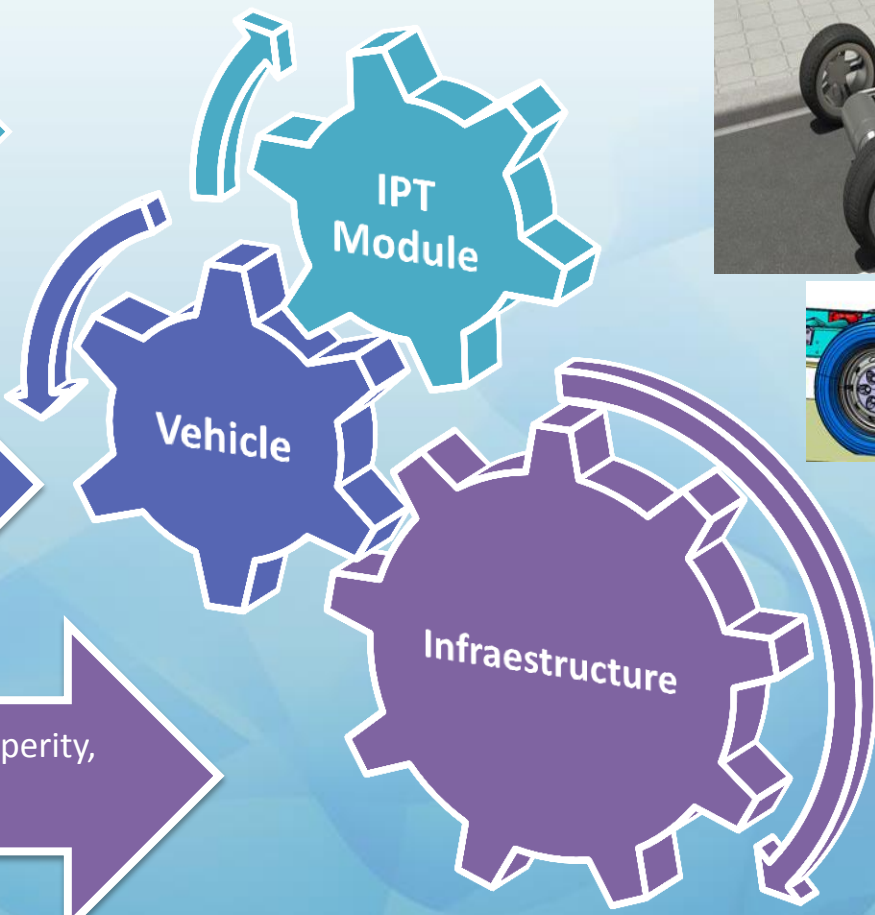
Aitor Bustillo, Egoitz Goikuria  
BATZ S.Coop  
14/11/2014, Vigo

# 1. Technical requirements & specifications

- Dimensions of 2ary coil
- Weight of 2ary coil
- Air gap between coils

- Space available
- Maximum speed charging

- Road features: asperity, obstacles

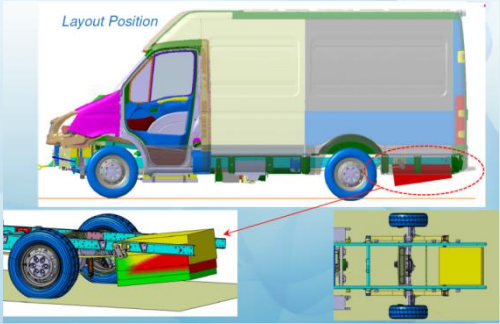
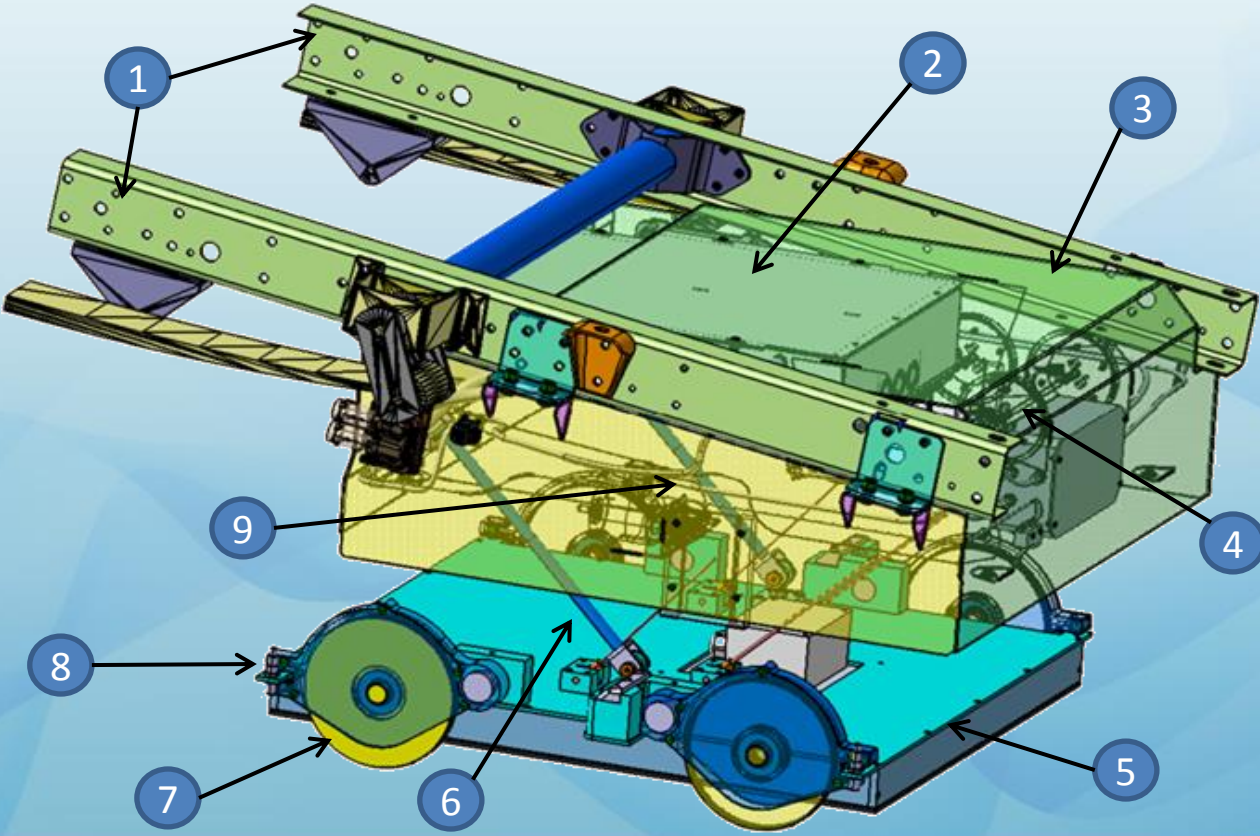


FastInCharge is supported by European Union's Seventh Framework Programme (FP7/2007-2013) under grant agreement n° 314284.



# 2. Design of mechanical system

First approach to the technology integrating the different elements and designing the lowering mechanism:



- 1.- Vehicle structure
- 2.- AC-DC module
- 3.- Black box housing
- 4.- Pick-Up Mechanism
- 5.- Secondary coil
- 6.- Guidance System
- 7.- Rolling System
- 8.- Damping System
- 9.- Locking System



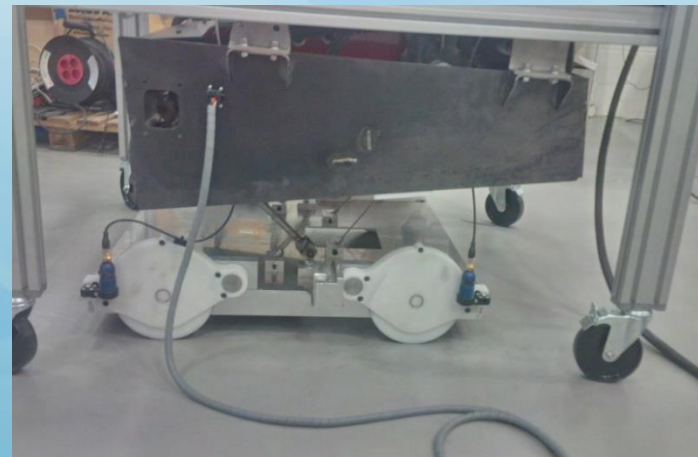
FastInCharge is supported by European Union's Seventh Framework Programme (FP7/2007-2013) under grant agreement n° 314284



# 3. Manufacturing of prototypes

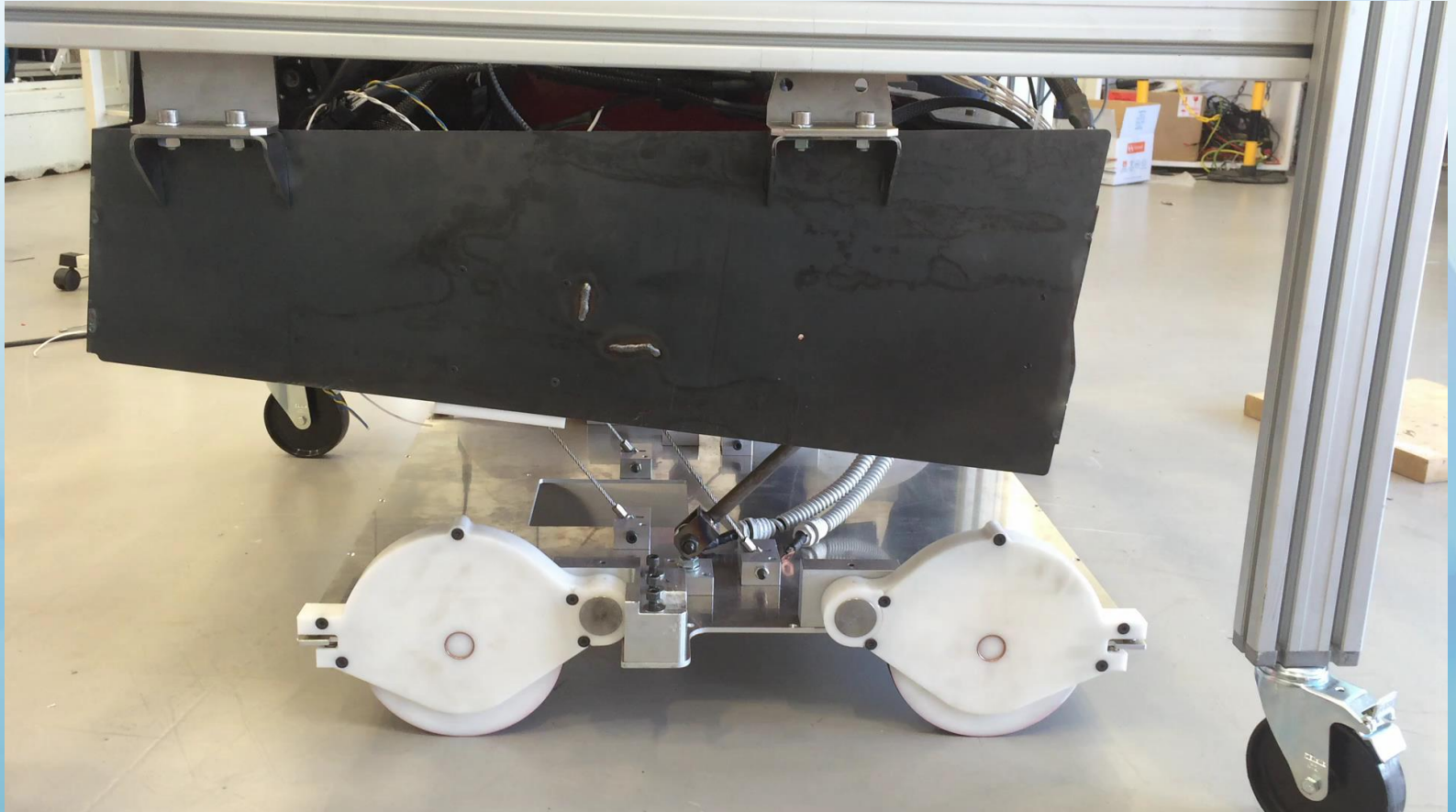


- Design & selection of components
- Mechanical integration
- Electrical / electronic integration
- Control algorithm development
- Test operation



# 4. Validation

## Upwards sequence video



## 5. Additional information

**Webinar:** <http://fastincharge.eu/webinar.php>

**Project website:** <http://fastincharge.eu/>

**Thank you!**



FastInCharge is supported by  
European Union's Seventh  
Framework Programme  
{FP7/2007-2013} under grant  
agreement n° 314284

